

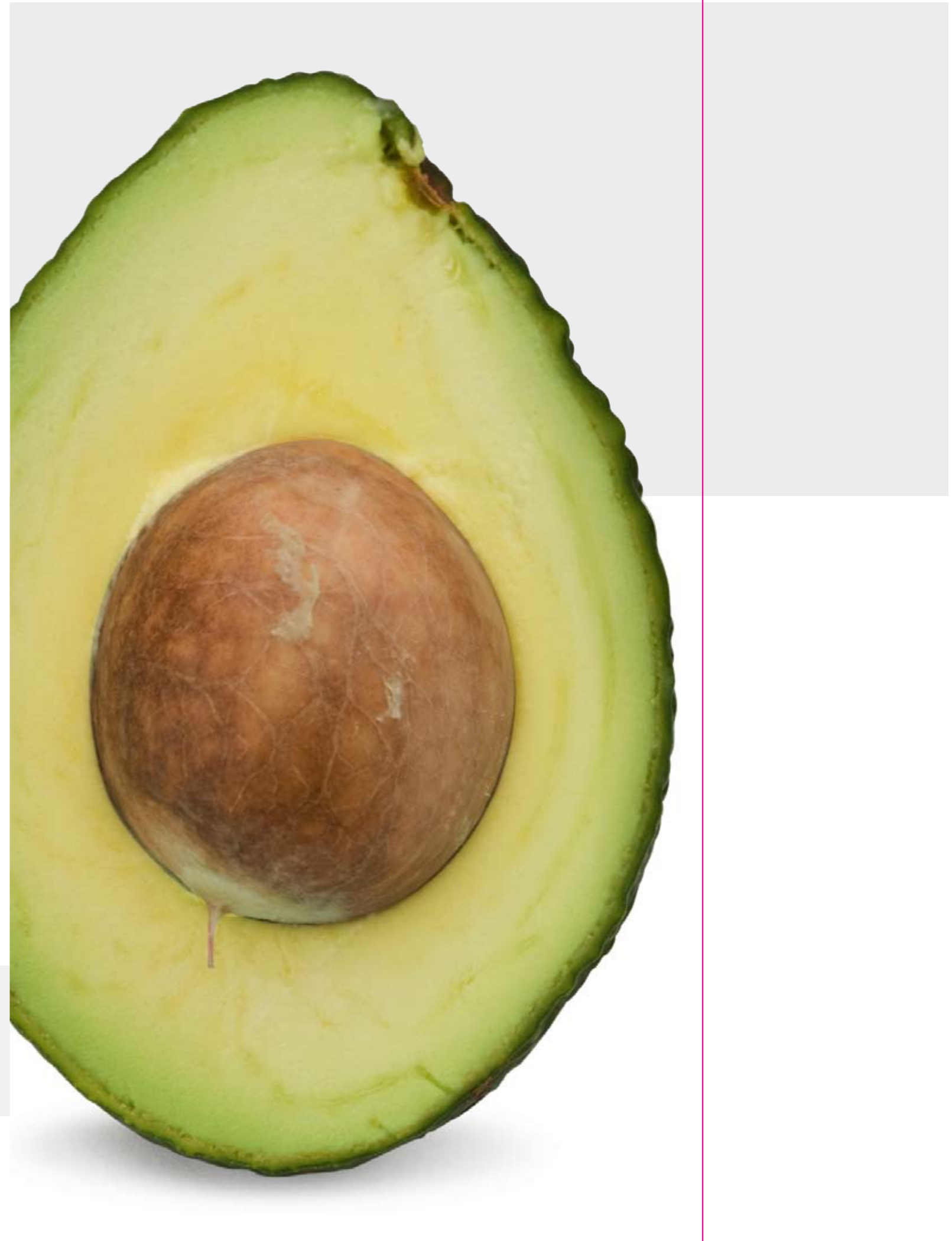


# Meet the winners. In beating noise and cost.

The Logixx 8 VarioPerfect.



**BOSCH**  
Invented for life



## Technologies that not only improve our everyday life, but our future, too.

Green Technology is the Bosch roadmap for sustainability, efficiency and transparency, especially when it comes to using resources and energy. Our work is constantly guided by this principle, in all sectors, from environment-friendly production methods to researching new, energy-efficient technologies.



### Green Technology Signet

This signet identifies products that feature especially groundbreaking technology and top efficiency, paired with extremely low consumption rates in energy, water or other natural resources. And that – like all Bosch products – are manufactured according to ecological criteria.



## Peak performers need a sound base.

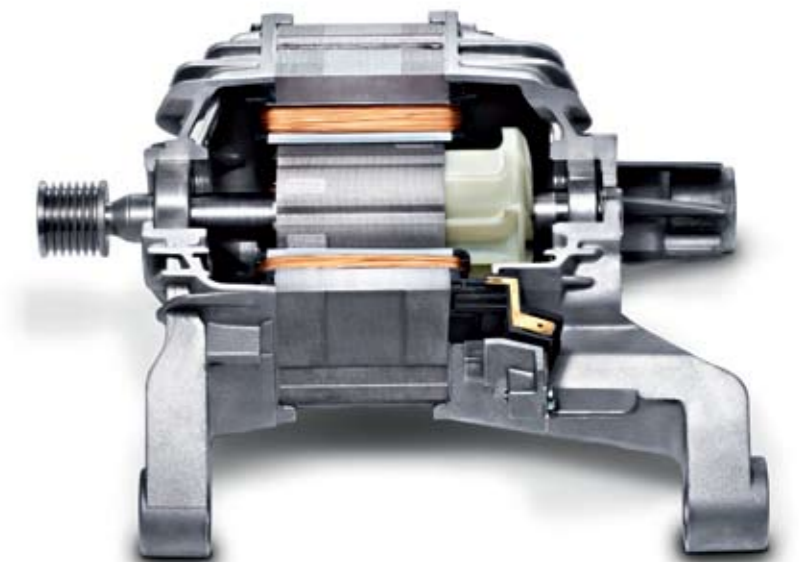
In a class of its own: the EcoSilence Drive™ is the latest generation of brushless motors, making the Logixx VarioPerfect more energy-efficient, faster, quieter and more effective than any other Bosch washing machine.

### Green Technology inside: The new EcoSilence Drive™

Developed by Bosch, this revolutionary brushless motor is quieter, faster, more energy-efficient, enduring and powerful than all others before it. Our patented solution: in contrast to conventional brushless motors, it uses a permanent magnet with the latest drive electronics. This advanced technology is also used for powerful machines like wind turbines where maximum power and minimum energy loss are demanded.

#### More efficiency

A conventional motor has an efficiency factor of 25 %. The efficiency factor is the ratio of power input to output. The higher the efficiency factor, the more effective the appliance. Thanks to advanced electronics, the new EcoSilence Drive with its sensorless, and thus more intelligent electronic control has an efficiency factor of 60 %.



#### More energy-efficient

The new EcoSilence Drive uses up to 30% less energy than the qualifying rate for energy efficiency class A.

#### More time-saving

Thanks to its outstanding efficiency factor, the new EcoSilence Drive also takes less time to achieve peak performance.

#### More quietness

In contrast to conventional motors, the new EcoSilence Drive is extremely quiet. Being brushless eliminates any high-frequency motor brush noise. The drive is fully encapsulated and amazingly quiet running.

#### More endurance

Very low on wear and tear, the compact motor has a long life expectancy.

# One for all. And all in one.

The Logixx 8 VarioPerfect adds magic to your home. With it, every laundering wish comes true. What else would you expect from the new perfection in home laundry?



## The 8 highlights of the Logixx 8 VarioPerfect



**NEW**  
**Long life cycle and outstanding quietness with EcoSilence Drive™**  
 Green Technology inside: the unique EcoSilence Drive™ is an advanced motor offering maximum efficiency, economy and exceptionally quiet operation.



**NEW**  
**VarioPerfect™**  
**30 % more economy than the qualifying rate for energy efficiency class A thanks to EcoPerfect**  
 Green Technology inside: the lowest ever electricity rates thanks to EcoPerfect, based on the VarioPerfect logic system.



**NEW**  
**VarioPerfect™ Perfect**  
**washing up to 60 % faster**  
 thanks to SpeedPerfect Select the SpeedPerfect option from the VarioPerfect logic system if time is short.



**NEW**  
**Very quiet thanks to AntiVibration side walls**  
 Green Technology inside: together with the EcoSilence Drive the structure of the outer walls assures exceptionally quiet operation.



**Faster, gentler washing with the patented VarioSoft™ drum and asymmetrical porthole design**  
 Thanks to a unique droplet structure, your laundry is washed more intensively or gently as the occasion demands.



**Target and remove 16 of the most stubborn stains with the automatic stain-remover function**  
 Red wine, cosmetics etc. don't stand a chance anymore when you combine the automatic stain remover option with your standard programs.



**100 % convenience with the self-cleaning detergent drawer**  
 Practical hygiene assured by thorough, automatic flushing during each wash cycle.



**Advanced laundry care with a whole range of special programs**  
 Because every garment is different: Individual care programs, e.g. for sportswear, shirts/ blouses etc.

# The best energy efficiency class is A. Another 30 % better is Bosch.

Thanks to the new VarioPerfect™ logic system, the EcoPerfect option can be combined with practically every program for energy-efficient washing and perfect results.

## Green Technology inside

### VarioPerfect™

With a perfect range of programs, VarioPerfect assures top results for all kinds of textiles and load sizes. Combine the VarioPerfect EcoPerfect option with practically every program for even greater economy, and with SpeedPerfect for express results.



### <sup>1)</sup> The EcoPerfect saver option

Select EcoPerfect and save an amazing amount of electricity. With a full 8 kg load, the Logixx 8 VarioPerfect is still 30 % more economical than the qualifying rate for the top energy efficiency class A. The EcoPerfect option can be combined with all programs except ExtraShort 15 and wool. This way you can save electricity and still enjoy perfect washing results in wash efficiency class A.

<sup>1)</sup> even 30 % more economical (only 0.13 kWh/kg) than the qualifying rate (0.19 kWh/kg) for energy efficiency class A.



# Saving 30 % more energy on an 8 kg load is as sweet as this.

Take your choice with the EcoPerfect option. Buy a lollipop for 20 cents - or wash a whole 8 kg of laundry in the Bosch Logixx 8 VarioPerfect with super efficiency.



## Green Technology inside



### Super energy-efficiency with EcoSilence Drive™

The new EcoSilence Drive features a particularly high efficiency factor of 60 %. Compared to other motors, it achieves an outstanding degree of efficiency. Similarly to a modern wind turbine and based on a permanent magnet, it offers maximum performance and minimum consumption.

### Targeted water and energy consumption thanks to the automatic load sensing system

The days of filling the washing machine to full capacity in order to save on electricity are well and truly over – thanks to our automatic load sensing system. It detects how much washing is in the drum and makes sure that just the right amount of energy and water is expended on it. That way, even smaller quantities can be washed with top energy efficiency. So, for instance, when you wash 4 kg of laundry you only use the electricity and water required for 4 kg, and not any more.

# 60 % faster washing, 100 % satisfaction.

SpeedPerfect is the fastest washing option ever.  
At the same time, it also washes thoroughly and gently.



#### Fast option SpeedPerfect

Depending on the program selected, with SpeedPerfect you can reduce wash time by up to 60%. Combine this function with all programs except ExtraShort 15 and wool, washing e.g. 5 kg of laundry in only 60 minutes\* – with no compromises on washing efficiency. For top results in less than half the time.



#### Washing efficiency class A

The washing efficiency classes record the extent to which washing efficiency standards are satisfied. Washing efficiency means maximum cleanliness and maximum care. An A-rating denotes top washing efficiency and 100 % washing power.

\* in a 40°C whites/colored wash program and SpeedPerfect option.

## We've always been thorough about removing spots. Now we're going after noise.

The new Logixx 8: quiet as a whisper thanks to the new EcoSilence Drive™



### Green Technology inside



#### EcoSilence Drive™

As the EcoSilence Drive motor is brushless, you have no motor brush noise to contend with. Working on a short wave also guarantees low noise. The EcoSilence Drive is also inherently an extremely quiet operator.



#### AntiVibration Design™

The new spiral design of the side walls isn't just an attention-catcher. The structure increases stability and reduces vibrations. Optimum sound insulation dampens noise still further.

## The only drum system with two different approaches to one goal: perfect cleanliness.

Deserves a round of applause: the patented VarioSoft™ drum system has a host of unique features to assure perfect wash results, be it delicate or heavily soiled laundry - or even curtains.



### VarioSoft™ drum system

The unique patented VarioSoft drum system for faster, gentler washing is exclusively available from Bosch. The raindrop structure and asymmetrical paddles have a steep and flat side each. When the drum is rotated over the steep sides, articles are washed more intensively in normal programs – and over the flat sides, with extra care for delicate programs.

### Asymmetrical glass porthole

The unique porthole on the VarioSoft drum also decisively improves washing results. The asymmetrically curved inner surface of the porthole gently returns articles to the center of the drum, permanently integrating them in the wash process.

### Reduces creasing

At 8 kg or 65 liters capacity, the Logixx 8 VarioPerfect features by far the largest drum of all standard-size washing machines. Creasing is minimal even for larger loads because there is plenty room for garments to move freely.



# Can cope with more stains than your children have ever dreamt of.

Relax, no matter how the kids look when they come home: 16 special stain programs match up to any challenge posed by what they get up to when you're not looking.



#### Automatic stain option

The automatic stain option on the Logixx 8 VarioPerfect targets and eliminates the 16 most stubborn stains from chocolate and grass to red wine. The washing machine automatically adjusts the temperature, drum action and soaking time to the specific stains before the selected wash program\* starts.

#### The 16 most stubborn stains:

- Baby food
- Blood
- Butter/oil
- Egg
- Soil/sand
- Grass
- Coffee
- Cosmetics
- Red wine
- Chocolate
- Dirty socks
- Perspiration
- Tea
- Tomatoes
- Oranges
- Strawberries

# A good washing machine not only takes care of the laundry. But itself as well.

A Bosch exclusive: the first detergent drawer that cleans itself.

So now you can leaving all the cleaning to us.



#### Self-cleaning detergent drawer

The self-cleaning detergent drawer has smooth walls and nozzles that automatically flush the two detergent chambers clean as water is added. This makes sure that the water is always clean for the follow-up rinse cycles.

# Others compromise. We clean. Always.

New! VarioPerfect™:

100 % cleaning power in speed and economy settings.

#### Green Technology inside



#### <sup>1)</sup> VarioPerfect™

With a perfect variety of programs, VarioPerfect achieves outstanding results for all types of textiles, and for all load sizes. Practically all programs can be combined with the VarioPerfect EcoPerfect option for more savings, and with SpeedPerfect for more speed.

#### Other perfect features

#### Wash programs with prewash

Thanks to VarioPerfect the need for a prewash button is eliminated. Wash programs have been perfected to such a degree that laundry always comes out perfectly clean. However, for people who don't wish to do without a prewash, we have provided 2 standard programs with a prewash and flexible temperature setting. That way you wash all textiles from cottons to high-tech materials with a prewash. Incidentally, you can save even more electricity by leaving out the prewash cycle.





**Regional Headquarters:**

Middle East, Africa and South Asia  
BSH Home Appliances FZE  
P.O. Box 17312, Jebel Ali Free Zone  
Dubai, UAE  
Tel: +971 4 8030400